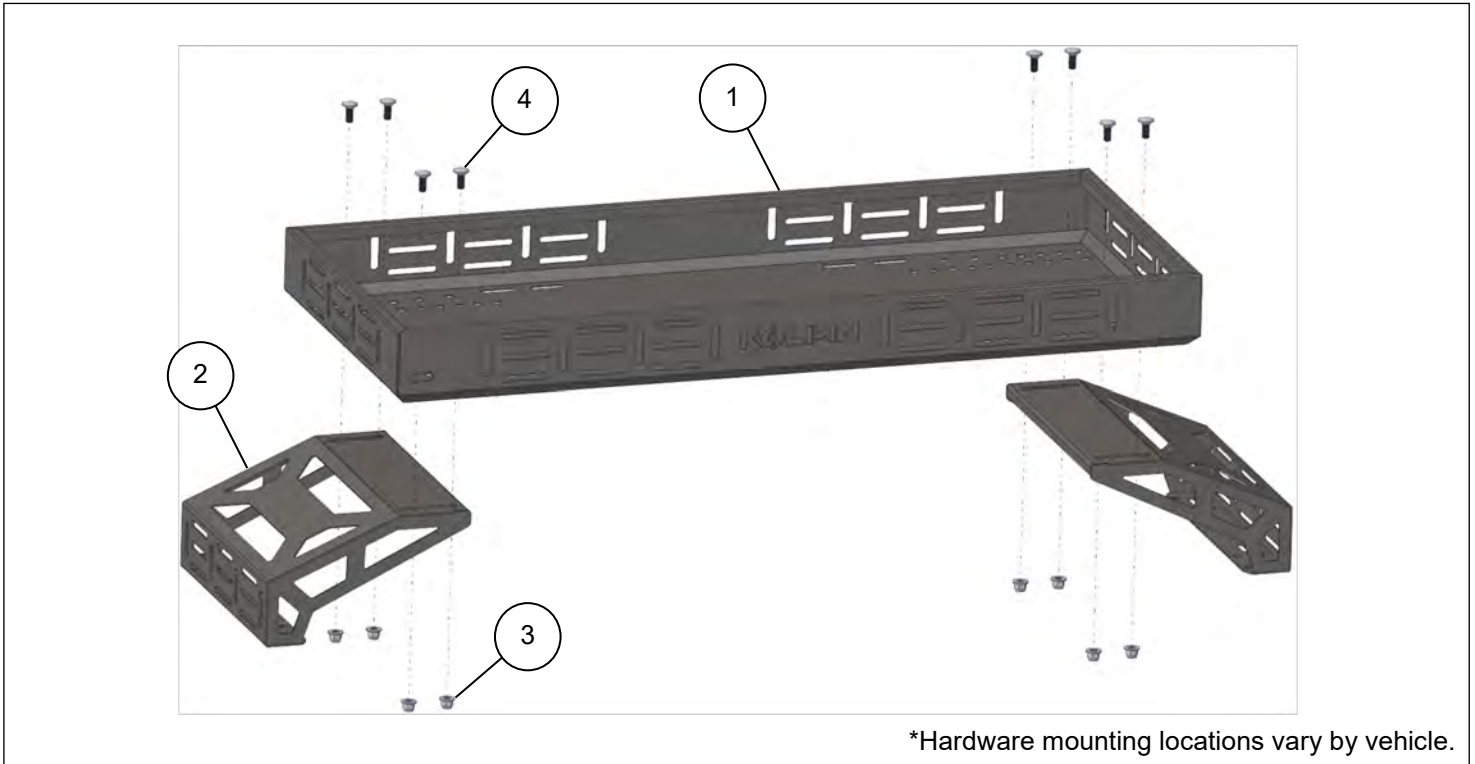


UTV OVERBED RACK

Product Instructions | Part No: 53450

KIT CONTENTS



REF	QTY	PART DESCRIPTION	SPARE P/N
1	1	Basket	-
2	2	Mounting Bracket	-
3	8	Locknut - M10 x 1.5mm Thread	K100411
4	8	Carriage Bolt - M10 x 1.5mm x 25mm	

*Vehicle Specific Mounting Kits Sold Separately

BEFORE YOU BEGIN

- See kolpin.com for instructions, warnings, and fitment.
- Verify all parts and tools are accounted for. If parts are missing, do not return to the store. Please contact Kolpin customer service department at (877) 956-5746 or (763) 478-5800 or email customerservice@kolpin.com.
- Follow all steps correctly and in the sequence described.
- Keep these instructions for future reference or for informational requests.
- To facilitate installation, make sure that your vehicle is clean and free of debris.

WARNING

- Do not exceed the vehicle bed box or bed rail payload ratings. See the OEM vehicle operator manual for guidance.
- Do not exceed maximum capacity of 150 lbs (68 Kg). Exceeding maximum capacity may result in rack failure, resulting in death, serious injury, or damage to vehicle or property.
- Ensure all cargo is adequately secured to rack. Failure to secure cargo may result in loss of vehicle control, resulting in death, serious injury, or damage to vehicle or property.

Kolpin Outdoors, Inc. | 9955 59th Ave N | Plymouth, MN 55442

(877) 956-5746 or (763) 478-5800 | kolpin.com | customerservice@kolpin.com

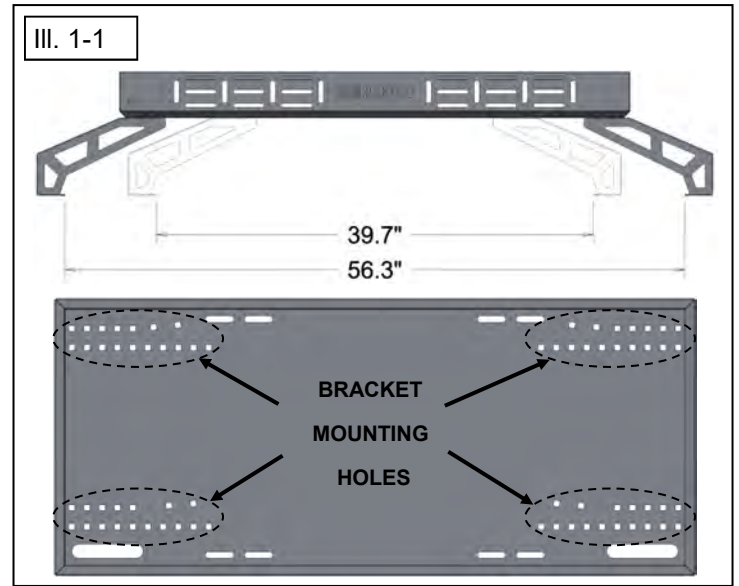
MOUNTING INSTRUCTIONS

Note: For vehicle specific mounting instructions, please refer to instructions included with mounting hardware kits (sold separately). Visit kolpin.com for full list of available mounts and instruction manuals.

1. Identify the correct mounting width and holes to attach the Mounting Brackets to the Basket, specific to your vehicle. The inside width of the Mounting Brackets is adjustable from 39.7" to 56.6". See Illustration 1-1.

See Illustration 1-2 for some of the vehicle specific mounting locations.

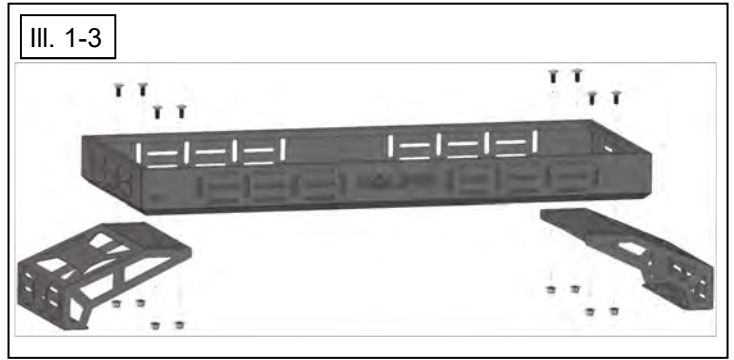
Note: Wider width vehicles can utilize the extra set of mounting holes towards the rear of the Basket which allow the Basket to be positioned further back from the Mounting Brackets. This allows for more clearance to the vehicle cab.



2. Attach Mounting Brackets to the Basket using the provided hardware. See Illustration 1-3.

3. Torque (8) M10 Locknuts to specification.

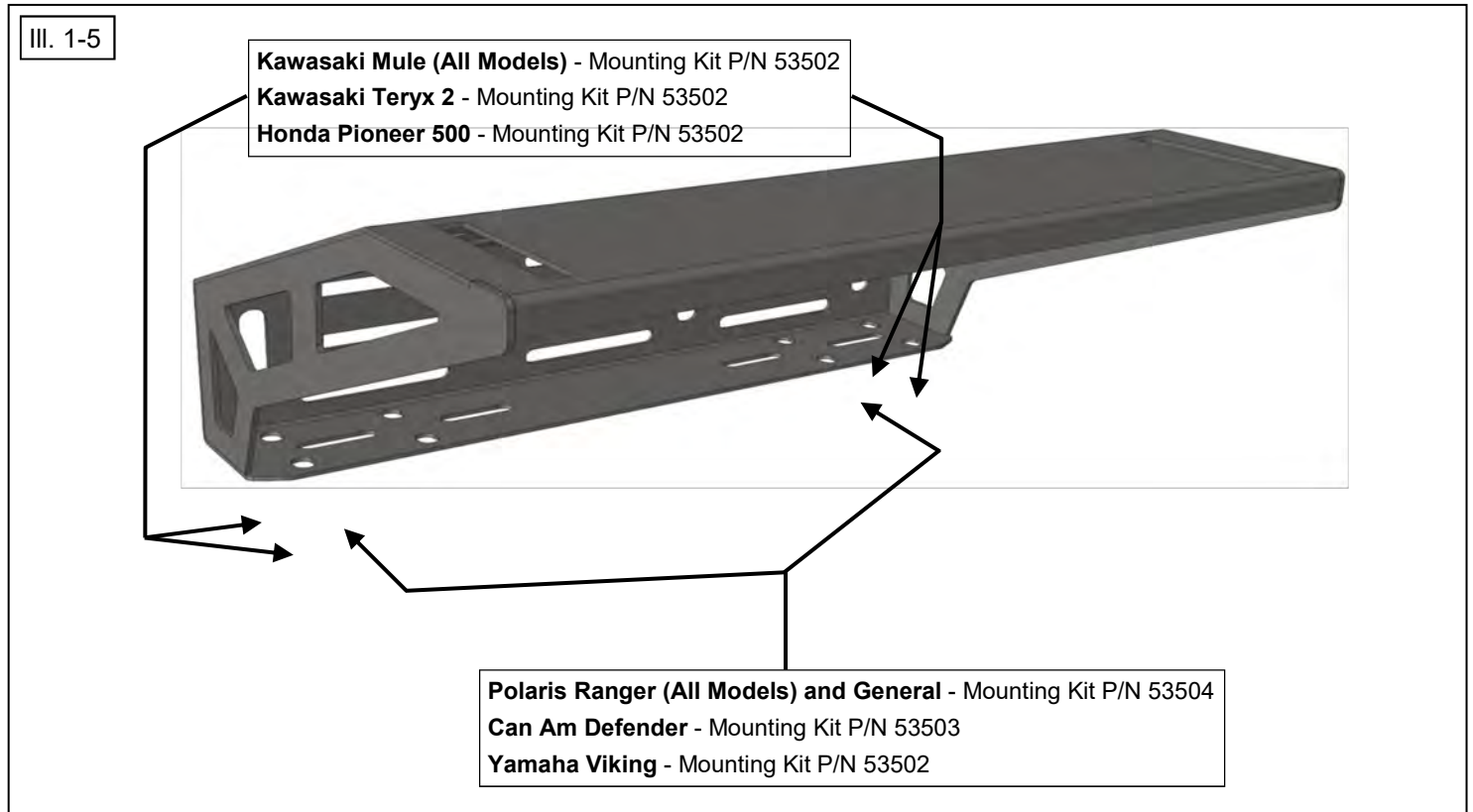
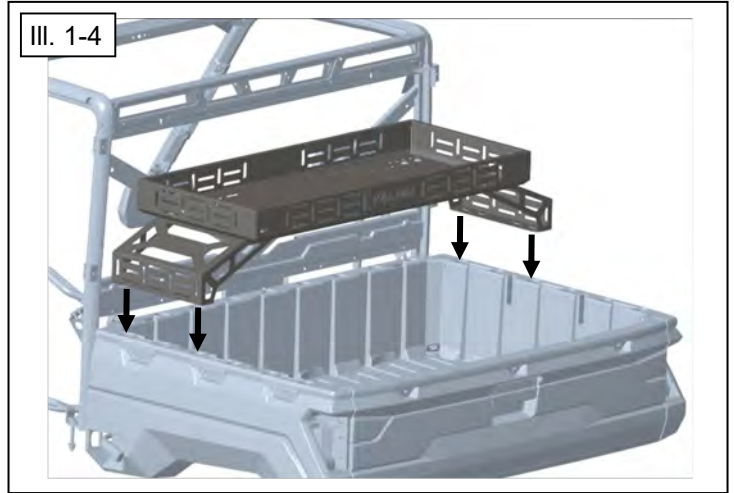
FASTENER TORQUE:
40 ft. lb. (54 Nm)



4. Carefully lift the UTV Overbed Rack onto your vehicle's bed rails. See Illustration 1-4.

CAUTION: It is recommended that two people install UTV Overbed Rack onto vehicle bed. Bed rack is large and may be difficult for one person to easily handle. Failure to have two people install bed rack onto vehicle could result in damage to vehicle and/or bed rack and possible personal injury.

5. See Illustration 1-5 for vehicle specific mounting locations on the Mounting Bracket. To complete installation, follow the instructions provided with the vehicle specific mounting hardware kits (sold separately).



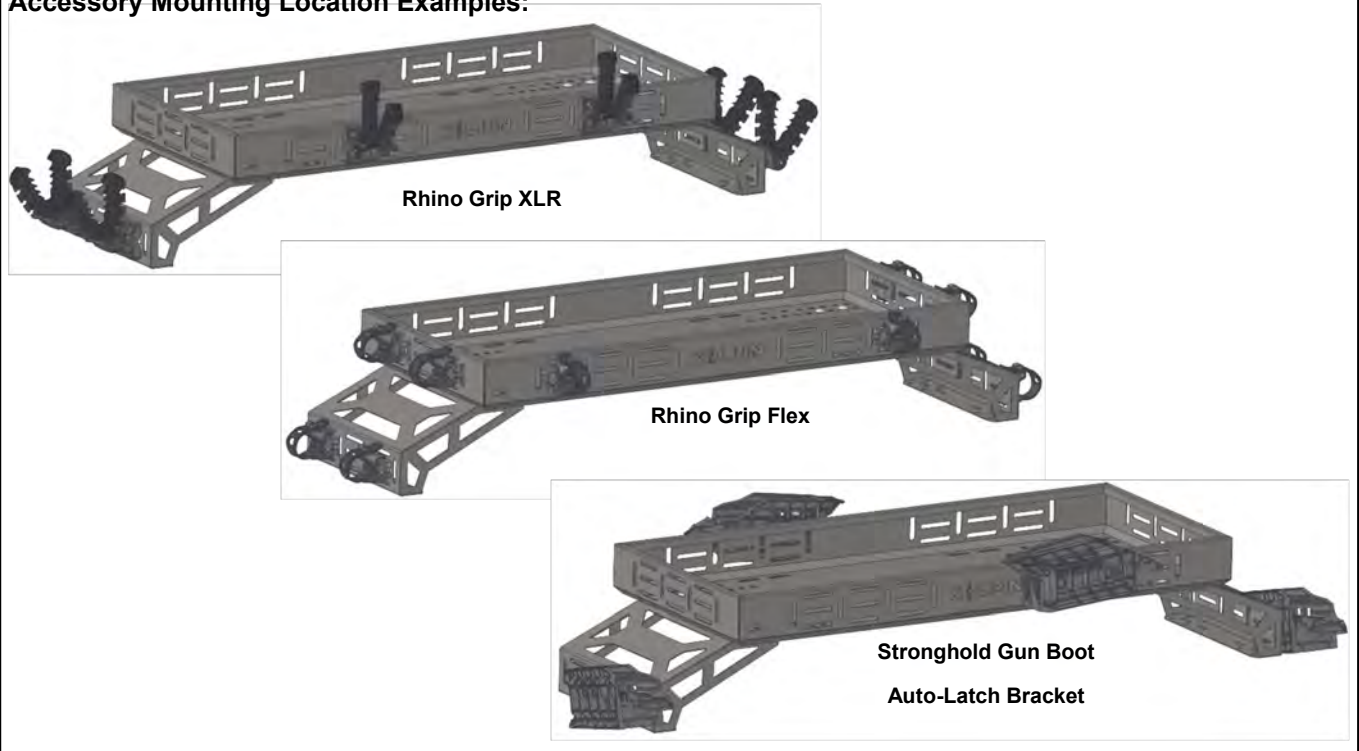
OPTIONAL ACCESSORY MOUNTING (SOLD SEPARATELY):

The modular hole pattern on the sides of the Basket and Mounting Brackets are compatible with a variety of Kolpin accessories.

Compatible Kolpin Accessories:

Product	Part Numbers
Rhino Grip Pro	21560
Rhino Grip XLR	21550, 21551
Rhino Grip XL	21510, 21515, 21535
Rhino Grip Ratcheting	21540
Rhino Grip Flex	21570, 21571
Stronghold Gun Boot Auto-Latch Bracket	30816

Accessory Mounting Location Examples:



USE AND CARE INFORMATION:

- Check the accessory mounts frequently and retighten if necessary.
- When this accessory becomes dirty, rinse thoroughly with cool water to remove loose dirt, then wipe with a clean cloth or sponge.
- Never use petroleum solvents such as gasoline, thinner, benzene, acid or alkaline cleaners.
- For additional assistance, please contact Kolpin customer service department at (877) 956-5746 or (763) 478-5800 or email customerservice@kolpin.com

ONE YEAR LIMITED WARRANTY

For the period of one (1) year from the purchase date, Kolpin will replace for the original purchaser, free of charge, any part or parts found upon examination by Kolpin to be defective in material, workmanship, or both.

All transportation costs incurred submitting product to Kolpin for warranty consideration must be borne by the purchaser. If Kolpin determines that the product must be returned to the factory for credit, please call 1-877-956-5746 for a Return Merchandise Authorization (RMA) number and shipping instructions.

This warranty does not apply to parts that have been damaged by accident, alteration, abuse, improper maintenance, normal wear, or other causes beyond the manufacturer's control. In order to protect you and your ATV, certain parts of the accessory system and/or hardware are designed to fail when the equipment is over-stressed. Parts that are lost due to loosening and improper maintenance are not covered under warranty. This warranty does not cover removal or reinstallation labor fees of the accessory system and related components. Most hardware is general in nature and is easily obtained locally. Be sure to replace with minimum metric class 8.8 specification.